

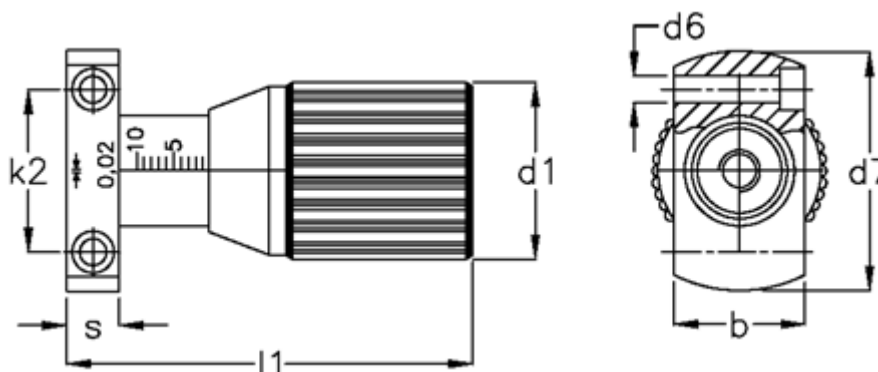
Data Sheet



Article number: 20618432

Description: E+G Control knob w/adjustable spindle
GN 727-27-B-SR - 10 rev. scale 0,1..0,9

Measures



$b = 20$

$d1 = 27$

$d2 = M 6$

$d3 = M12x1$

$d4 = 6.4$

$d5 = 18$

$d6 = 4.3$

$d7 = 38$

$h = 4.3$

$k2 = 22$

$l1 = 54$

$l2 = 19.5$

$l3 = 37.5$

$S = 10$

$W = 10$